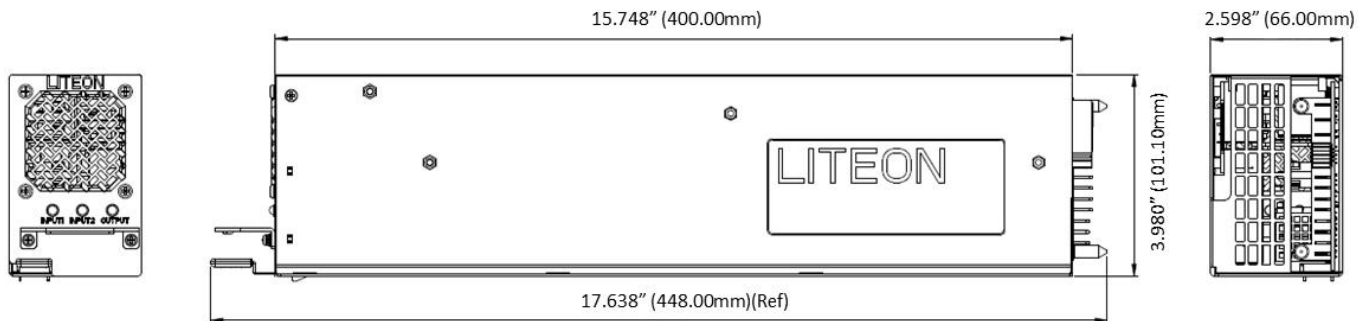


The 2.5KW Dual input Power Supply Unit (PSU) efficiently supplies both main output DC power and standby DC power from either AC or DC sources. This compact PSU provides 2.5kW, 12.5V / 200A for main power output and 30W, 12V / 2.5A for standby power applications. In addition, this PSU supports PMBUS1.2 with boot loader, LED status indicators, and circuit protection features.

Key Features

- Dual-input connection with AC (180-264VRMS) or DC (190-300VDC) for each input source
- Built-in transfer switch capability
- 2.5kW, 12.5V / 200A main output power
- 30W, 12V / 2.5A standby output power
- Single-phase AC input and DC output
- Interleaved Power Factor Correction (PFC) technique
- Platinum-rated efficiency
- Parallel redundancy
- 8 sets of unique PSU addresses
- PMBUS1.2 communication protocol



System Components

The system provides a comprehensive power management and battery backup capability based on existing building block with configuration flexibility to suit specific power, size, and run-time requirements. The table below provides additional information on the building block available to create a customized power solution. Please visit our website for more in-depth information or contact your local Lite-On PSS representative for support.

Component	Model Number	Description
Power Shelf	PF-2123-1QDM	12.5KW (5+1), 3 Phase, 5-wire connection, 2.5U Power Shelf with 6 pcs power module slots and one Shelf Controller slot
Power Shelf	PF-2123-1QDN	12.5KW (5+1), 3 Phase, 4-wire connection, 2.5U Power Shelf with 6 pcs power module slots and one Shelf Controller slot
Power Module	PS-2252-1QDU	2.5kW Hot-Swappable Power Module
Battery Backup System	BP-1442-01X	4.4KW 1U Battery Backup System (BBS) with 4 slots
Battery Backup Unit	BM-1112-01X	1.1kW Battery Backup Unit
Shelf Controller	CM-12CP-010U	Power shelf management and control
Site Management Controller	CP-13EC-010U	Rack management and control
21" OCP Rack	KT-2141-121	21-inch Open Frame Rack

