

The KT-1942-101 is a highly-versatile 19-inch rack that is a perfect fit for a wide variety of IT and Data Center applications. This EIA rack meets or exceeds EIA-310E/IEC-60297-2 standards.

Key Features

- Total of 42 EIA Rack Units
- Supports 1400 kg of equipment
- Knock-down design for efficient shipping
- Quick assembly time (approximately 15 minutes)
- High-quality, cost-effective solution
- Depth adjustable 19-inch vertical rails
- Heavy duty 3-inch casters for increased mobility
- Heavy duty leveling feet
- "U" markings on rails for convenient equipment installation
- Split level panels provide convenient access to equipment
- Lift off door type for quick release
- Field reversible doors
- Flexible packing methods
- Dimensions conform to EIA-310E and IEC-60297-2
- UL listed : UL2416 Issue No.2, CSA 22.2 No. 60950-1-07
- All materials RoHS compliant
- Optional accessories
- Multiple sizes available
- Customization requests welcomed



Specifications

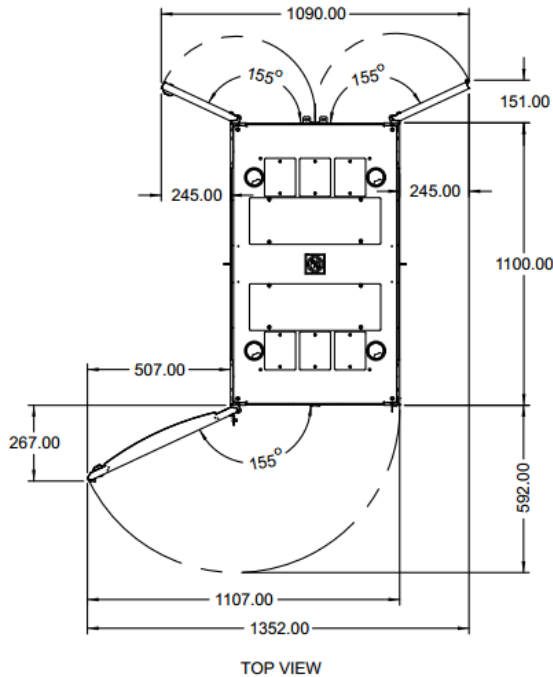
Quantity of EIA Rack Units	42
U Height	1.75" (44.45 mm)
Dimensions (H x W x D)	76.61" x 23.62" x 39.37" (1946 mm x 600 mm x 1000 mm)
Weight (empty)	176.3 lbs (80 kg)
Weight Capacity, Static	3086.4 lbs (1400 kg)
Weight Capacity, Rolling	3086.4 lbs (1400 kg)
Color	Low gloss, textured powder coat black
RoHS	All materials are RoHS compliant
Warranty	3-Year Limited

Lite-On Power System Solutions USA
3001 Summit Avenue, Suite 400, Plano, TX 75074
+1 (469) 331-9838
www.liteon-pss.com
email: pss.sales@liteon.com

Lite-On Power System Solutions Taiwan
No. 90, Chien 1 Rd., Chung Ho Dist, New Taipei City 23585
+886 -2-2226181 ext 5026
www.liteon-pss.com
email: pss.sales@liteon.com

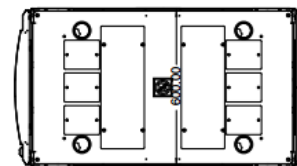
Description	Size	1000 Deep				1100 Deep				1200 Deep		
		27U	42U	45U	47U	27U	42U	45U	47U	42U	45U	47U
Overall Height of Rack		1333	2000	2133	2222	1333	2000	2133	2222	2000	2133	2222
Overall Depth, Door to Door (See page 3)		1090	1090	1090	1090	1190	1190	1190	1190	1290	1290	1290
Rack Depth, Frame to Frame (See page 3)		1000	1000	1000	1000	1100	1100	1100	1100	1200	1200	1200
Usable Rack Height		27U	42U	45U	47U	27U	42U	45U	47U	42U	45U	47U
Net weight (Kg.) (Include Casters)		79	110	116	120	85	120	126	130	129	137	141
Maximum Mounting Depth (mm)		890	890	890	890	990	990	990	990	1090	1090	1090
Front Door Total Open Area (sq in), all exceed 80%		654	1032	1109	1160	654	1032	1109	1160	1032	1109	1160
Rear Door Total Open Area (sq in), all exceed 80%		656	1008	1074	1122	656	1008	1074	1122	1008	1074	1122
Door opening radius		155 °	155 °	155 °	155 °	155 °	155 °	155 °	155 °	155 °	155 °	155 °

Mechanical



DIMENSIONS (UNIT : MM)	
UNIT HEIGHT	OVERALL HEIGHT
27U	1333
42U	2000
45U	2133
47U	2222

Note : 27U has single piece Side Panel



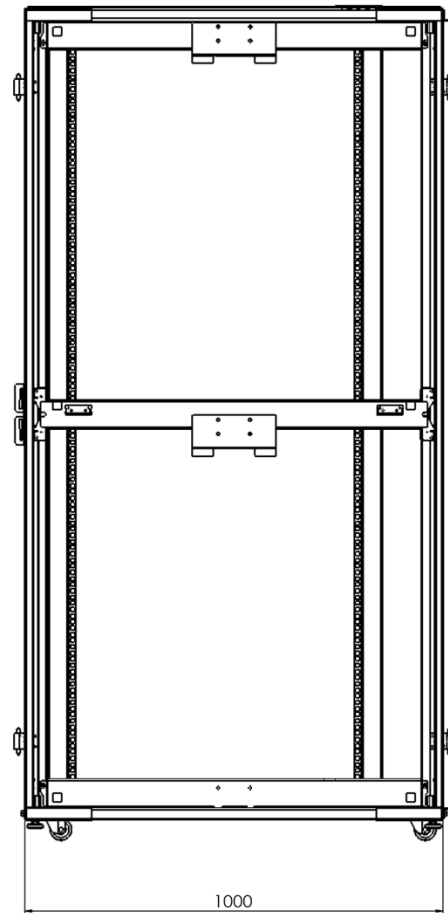
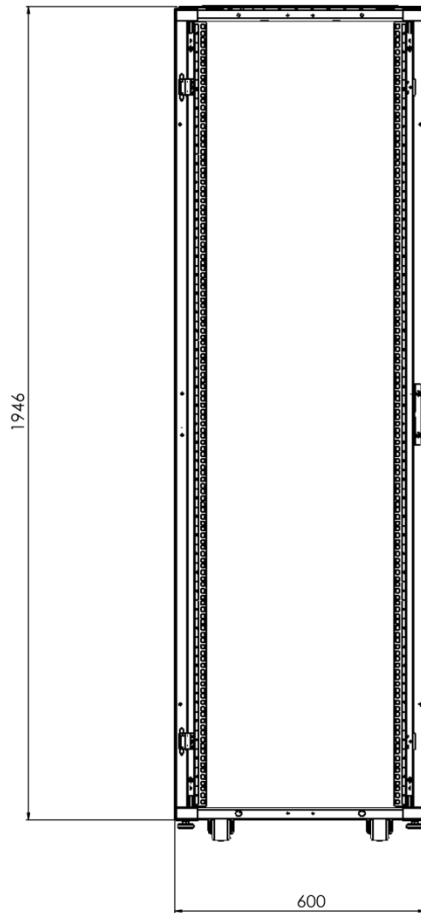
(TOP)



(BOTTOM)

Lite-On Power System Solutions USA
3001 Summit Avenue, Suite 400, Plano, TX 75074
+1 (469) 331-9838
www.liteon-pss.com
email: pss.sales@liteon.com

Lite-On Power System Solutions Taiwan
No. 90, Chien 1 Rd., Chung Ho Dist, New Taipei City 23585
+886 -2-2226181 ext 5026
www.liteon-pss.com
email: pss.sales@liteon.com



Lite-On Power System Solutions USA
3001 Summit Avenue, Suite 400, Plano, TX 75074
+1 (469) 331-9838
www.liteon-pss.com
email: pss.sales@liteon.com

Lite-On Power System Solutions Taiwan
No. 90, Chien 1 Rd., Chung Ho Dist, New Taipei City 23585
+886 -2-2226181 ext 5026
www.liteon-pss.com
email: pss.sales@liteon.com

System Components

Component	Description
Front/Rear Doors	Contoured high-density perforated door exceeds major IT equipment air flow requirements. Quick release, field-reversible doors are easily removed.
Side Panels	Split-level side panels provide convenient access to installed equipment. Also, can be used as end-of-row airflow containment panels.
IT Support Brackets	Design to support IEC-60297-2 Type B equipment. Several options are available based on equipment weight and height.
Cable Management	Several cable management panels/organizers are available to manage the rack cables.
Baying Kit	Connects racks together to provide more stability.
Lifting Eye Bolts	Provides the capability to lift the assembled rack if needed.



Innovative Power Management Solutions for Critical Infrastructure

Lite-On Power System Solutions USA
3001 Summit Avenue, Suite 400, Plano, TX 75074
+1 (469) 331-9838
www.liteon-pss.com
email: pss.sales@liteon.com

Lite-On Power System Solutions Taiwan
No. 90, Chien 1 Rd., Chung Ho Dist, New Taipei City 23585
+886 -2-2226181 ext 5026
www.liteon-pss.com
email: pss.sales@liteon.com